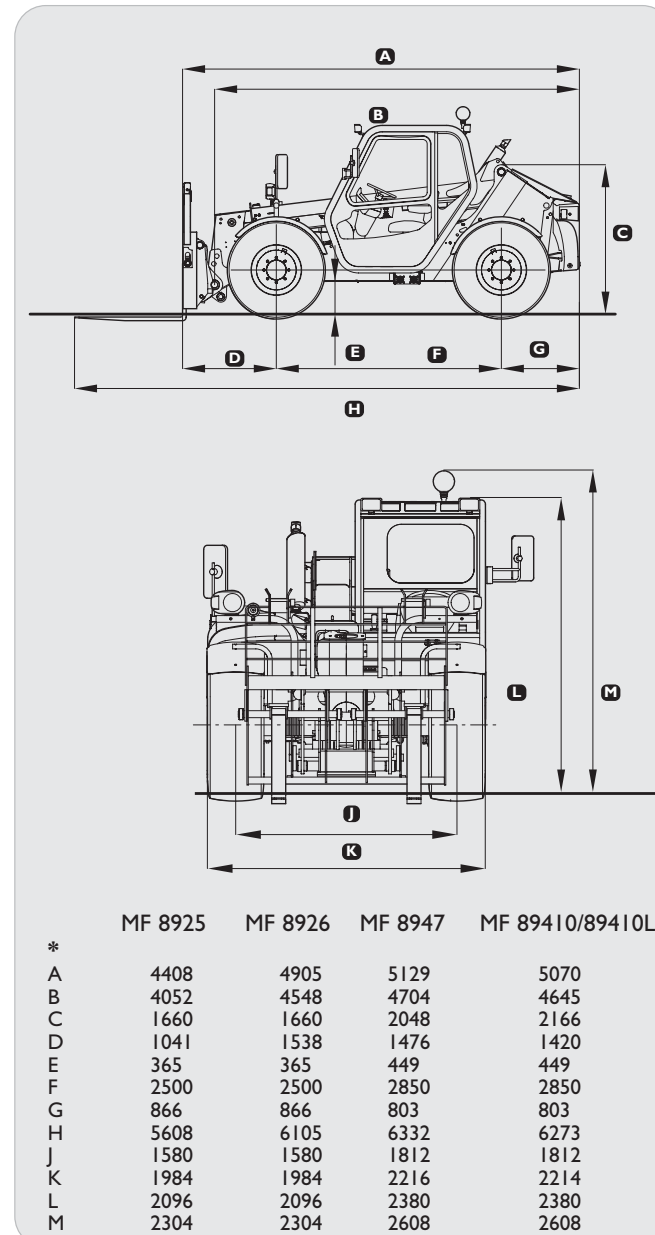


Specifications: ● = Standard

			MF 8925	MF 8926	MF 8947	MF 89410	MF 89410L
Loader performance (norm EN 1459: 1998 Annex B)							
Max. capacity	- at ground level	kg	2500	2500	3500	3500	3500
	- at full lift height	kg	2500	2200	3000	1000	3000
	- at full reach	kg	1100	900	1350	600	600
Max. lift height		m	5.56	6.45	7.20	10.2	10.2
Forward reach	- boom retracted	m	0.97	1.62	1.72	1.36	1.36
	- boom extended	m	3.12	4.10	4.06	6.91	6.91
Engine							
Turbocharged, liquid cooled, direct injection diesel	make		Perkins	Perkins	Perkins	Perkins	Perkins
	type		1104-44T	1104-44T	1104-44T	1104-44T	1104-44T
Capacity		litre	4.4	4.4	4.4	4.4	4.4
Power @ 2200 rev/min* ISO hp (kW)			99 (74.5)	99 (74.5)	99 (74.5)	99 (74.5)	99 (74.5)
Max. torque @ rev/min		* Nm	412/1400	412/1400	412/1400	412/1400	412/1400
* ISO TR14396							
Transmission							
Type	Hydrostatic, 2 speed ranges in forward and reverse, electronically controlled with fast and slow transmission modes						
Max. road speed		km/h	30	30	30	30	30
Axes and brakes							
Front axle	With limited slip differential and oil-immersed disc brakes						
Front/rear axle epicyclic reduction gears	● ● ● ● ●						
Hydraulically actuated parking brake	● ● ● ● ●						
Tyres							
Standard			400/70-20	400/70-20	400/80-24	400/80-24	400/80-24
Optional			15.0/55-17	15.0/55-17	400/70-20 or 17.5LR24		
Steering							
Hydrostatic	● ● ● ● ●						
Front wheel, 4-wheel and crab steer	● ● ● ● ●						
Hydraulic system							
Boom - gear pump capacity		litre/min	84	84	95	95	95
Max. operating pressure		bar	265	265	265	265	265
Engine cooling							
- Gear pump capacity		litre/min	35	35	35	35	35
Max. operating pressure		bar	250	250	250	480	480
Weights and capacities							
Weight, without implement		kg	4820	5350	6910	7200	7200
Hydraulic system		litre	122	122	125	125	125
Fuel tank capacity		litre	110	110	140	140	140



* All dimensions are in mm